

Automatic Hand Dryer

1.) Unit Design

The automatic hand dryer is equipped with an infra – red sensing device that drives a centrifugal fan and supplies warm air by a set of heaters.

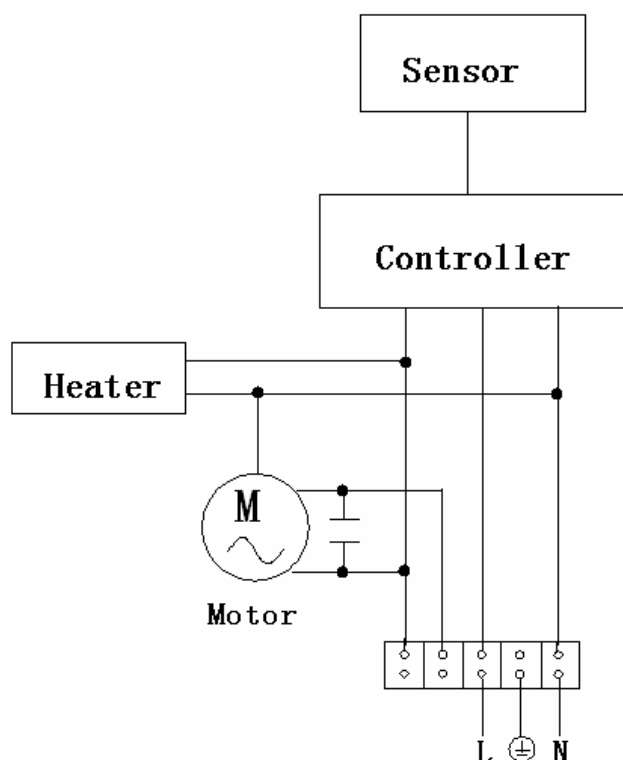
2.) Features

1. The unit turns on automatically when hands are positioned within 12 cm of the nozzle.
2. The sensor activates the unit with a 0.5 sec. delay to avoid being turned on mistakenly by unidentified objects passing through.
3. A light indicates the status of sensor : sensor on, off.
4. Built – in safety devices turn off the unit when the temperature rises above 65°C.
5. The unit will cut power off when continuously operated for over 1 min.
6. The concentrated air flow will dry hands efficiently within 30 – 45sec.

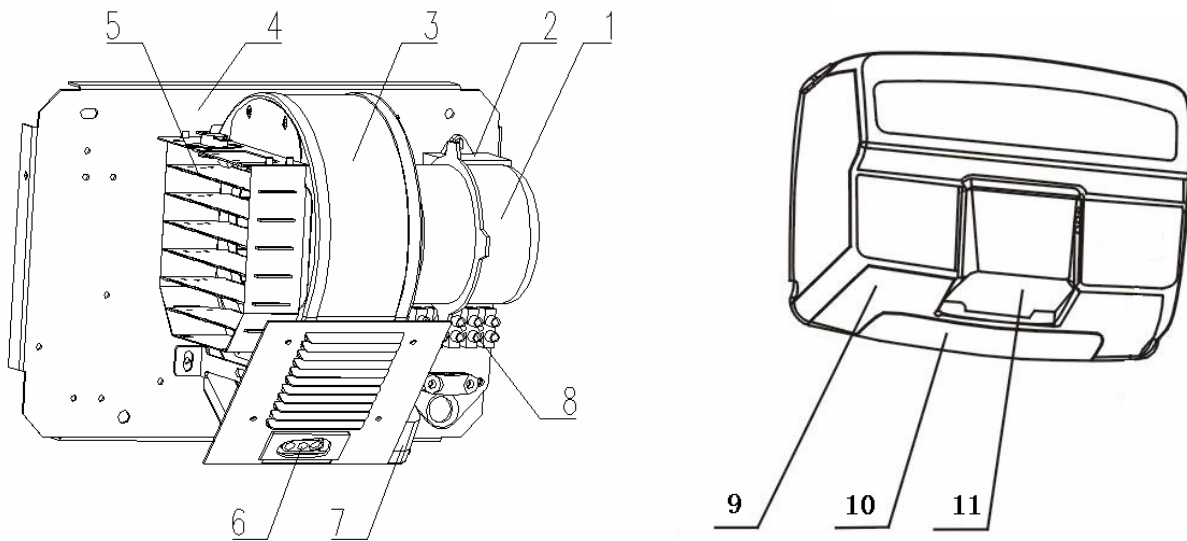
3.) Specifications

ON/OFF	Operated by automatic infrard
Dimensions	290 × 163 × 216(W × H × D)
Adjustable Sensing Range	12cm ± 3cm
Air Temperature	48°C - 54°C
Adjustable Operation Duration	40sec, to 1 min
Motor Speed	2830 r.p.m
Heater	1600W

4.) Operation diagram



5.) Construction Diagram



6.) Parts Description

Item No	Description	Item No	Description
1	Motor	10	Air in – take grill
2	Capacitance	11	Nozzle
3	Fan cover		
4	Base plate		
5	Heater		
6	Sensing device & Power/ operation Indicator		
7	Controller		
8	Electric terminal		
9	Body cover		

7.)Maintenance

Electronic instrument may lead to damage of people or property losing. Please ask help from a qualified electrical engineer if you have doubt with Installation or using.

1. The dryer must be fixed in a place which is far away from washing people.
2. Do not spray the dryer with water directly.
3. Do not use rough fabric or organic liquid to wash the surface of the instrument, and the power must be cut off when cleaning with desiccated wet cloth.
4. If trouble happens in the process of using, cut off the power rapidly, stop using, and contact with our company in time or ask qualified personnel to maintain.
5. If the power cord is broken, special cord must be used or buy them from manufacturer or (maintain office) to change.